



Dresser Assembly

SKUS: 1320428, 1320435



NEED HELP?

1-800-444-8444

warranty@rizehome.com



Video
Assembly

INCLUDED PARTS

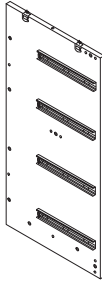
A



**Left Side
Panel**

1 pcs

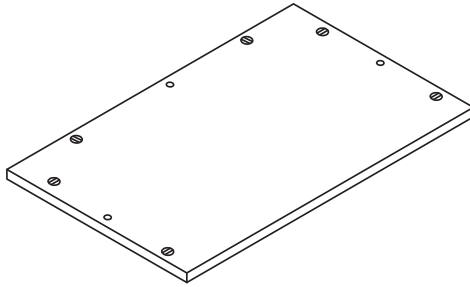
B



**Right Side
Panel**

1 pcs

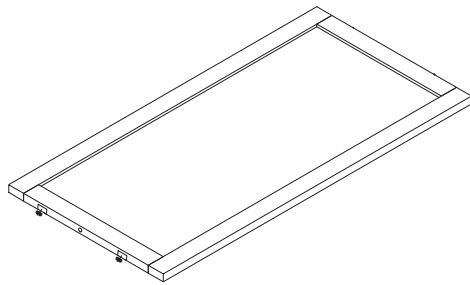
C



Top Panel

1 pcs

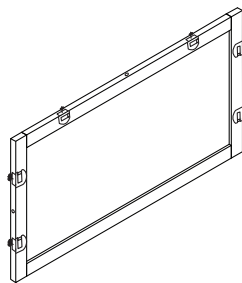
D



**Bottom
Frame**

1 pcs

E

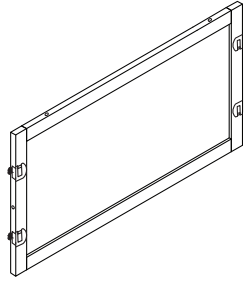


**Upper Back
Frame**

1 pcs

INCLUDED PARTS

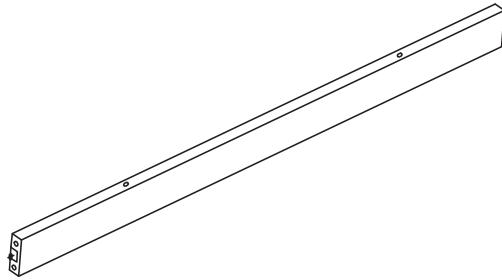
F



**Lower Back
Frame**

1 pcs

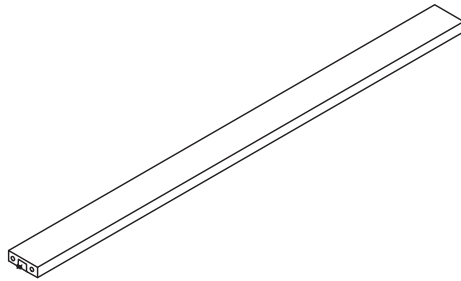
G



**Bottom Frame
Crossbar**

1 pcs

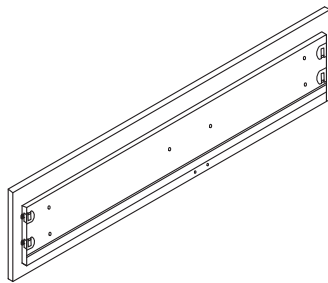
H



Crossbar

2 pcs

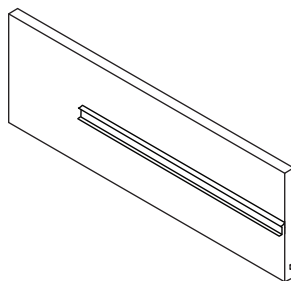
I



**Front Drawer
Panel**

4 pcs

J

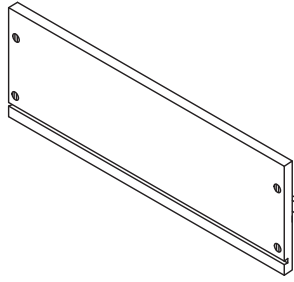


**Left Side
Drawer
Panel**

4 pcs

INCLUDED PARTS

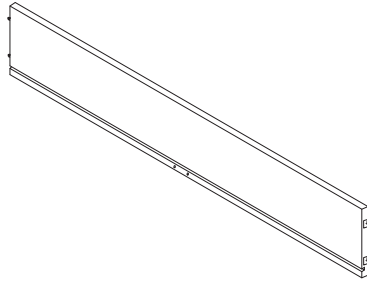
K



**Right Side
Drawer Panel**

4 pcs

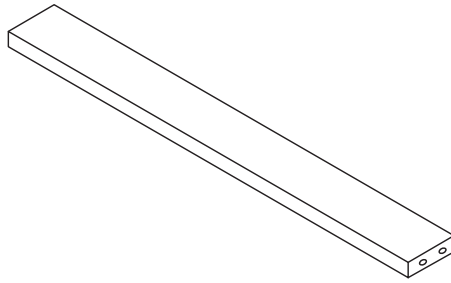
L



**Back Drawer
Panel**

4 pcs

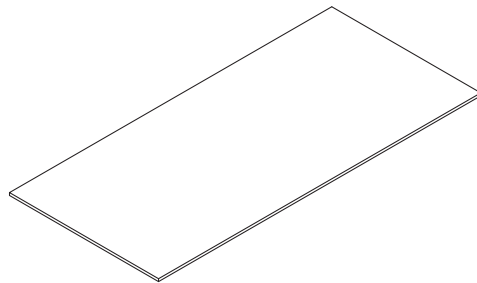
M



**Bottom
Drawer
Support Bar**
(wood finish)

4 pcs

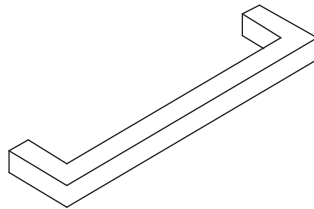
N



**Bottom
Drawer
Panel**

4 pcs

O

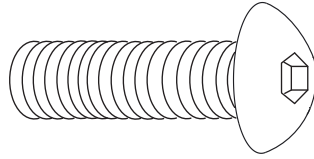


Handle

4 pcs

INCLUDED PARTS

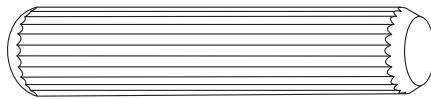
P



**Pan-Head
Bolts**

8 pcs

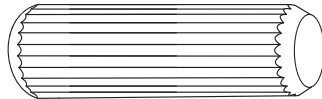
Q



**8 x 30mm
Dowels**

25 pcs

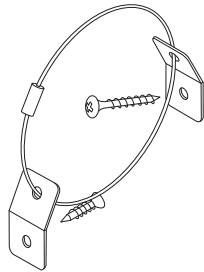
R



**6 x 20mm
Dowels**

16 pcs

S



Anti-Tip Set

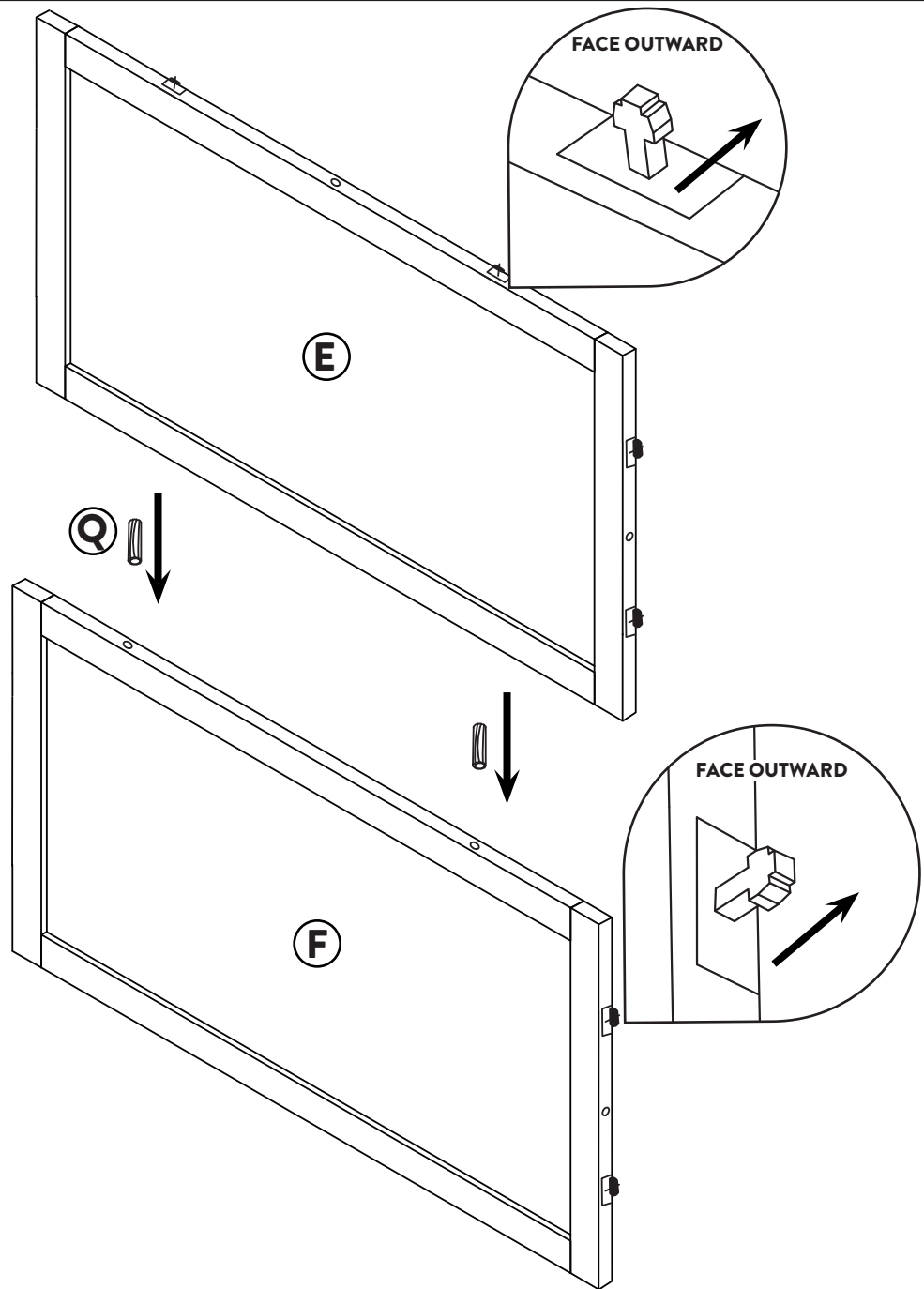
1 pcs

⚠ WARNING!

Children have died from furniture tipover. To reduce the risk of furniture tipover:

- ALWAYS install the Anti-Tip Set provided
- NEVER put a TV on this product
- NEVER allow children to stand, climb, or hang on drawers, doors, or shelves
- NEVER open more than one drawer at a time
- Place heaviest items in the lowest drawers

7



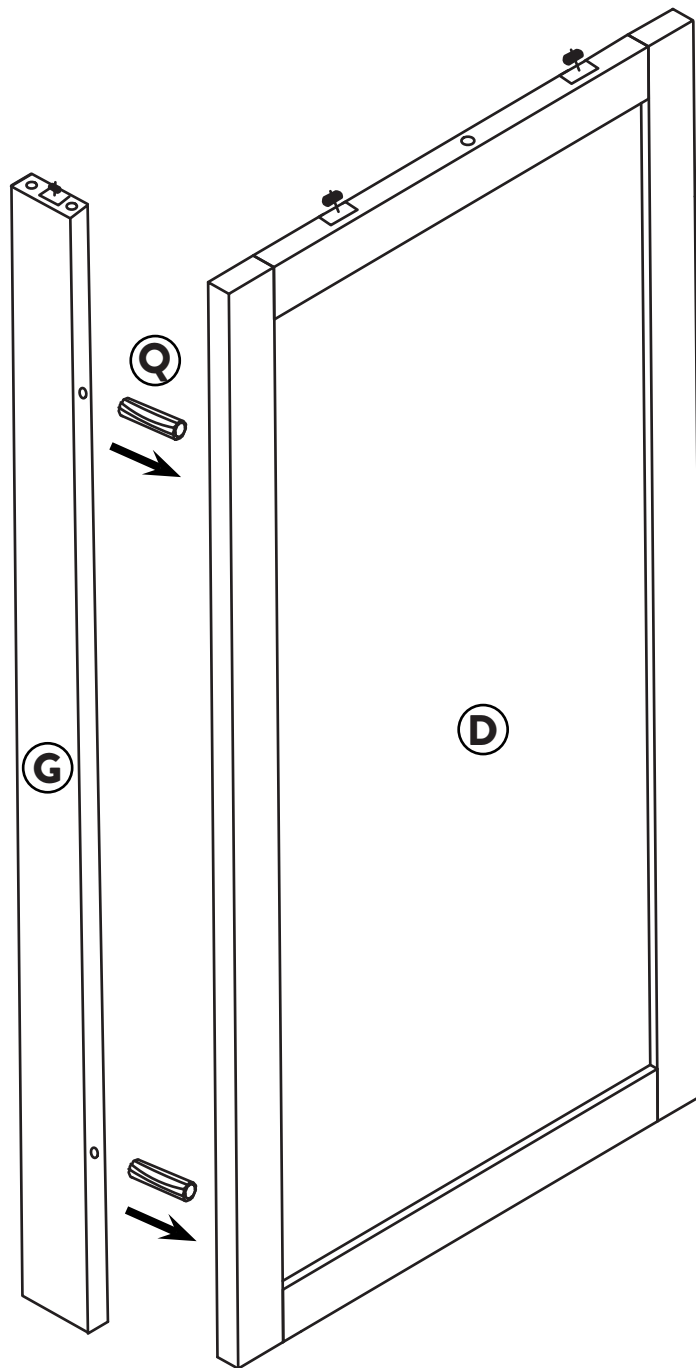
Connect Upper Back Frame (E) and Lower Back Frame (F) with two 8 x 30mm Dowels (Q).

NOTE: Make sure the cam levers on the Upper Back Frame (E) are positioned at the top, facing outward. On the Lower Back Frame (F), make sure the cam levers face outward.



Step 1 Video
Assembly

2

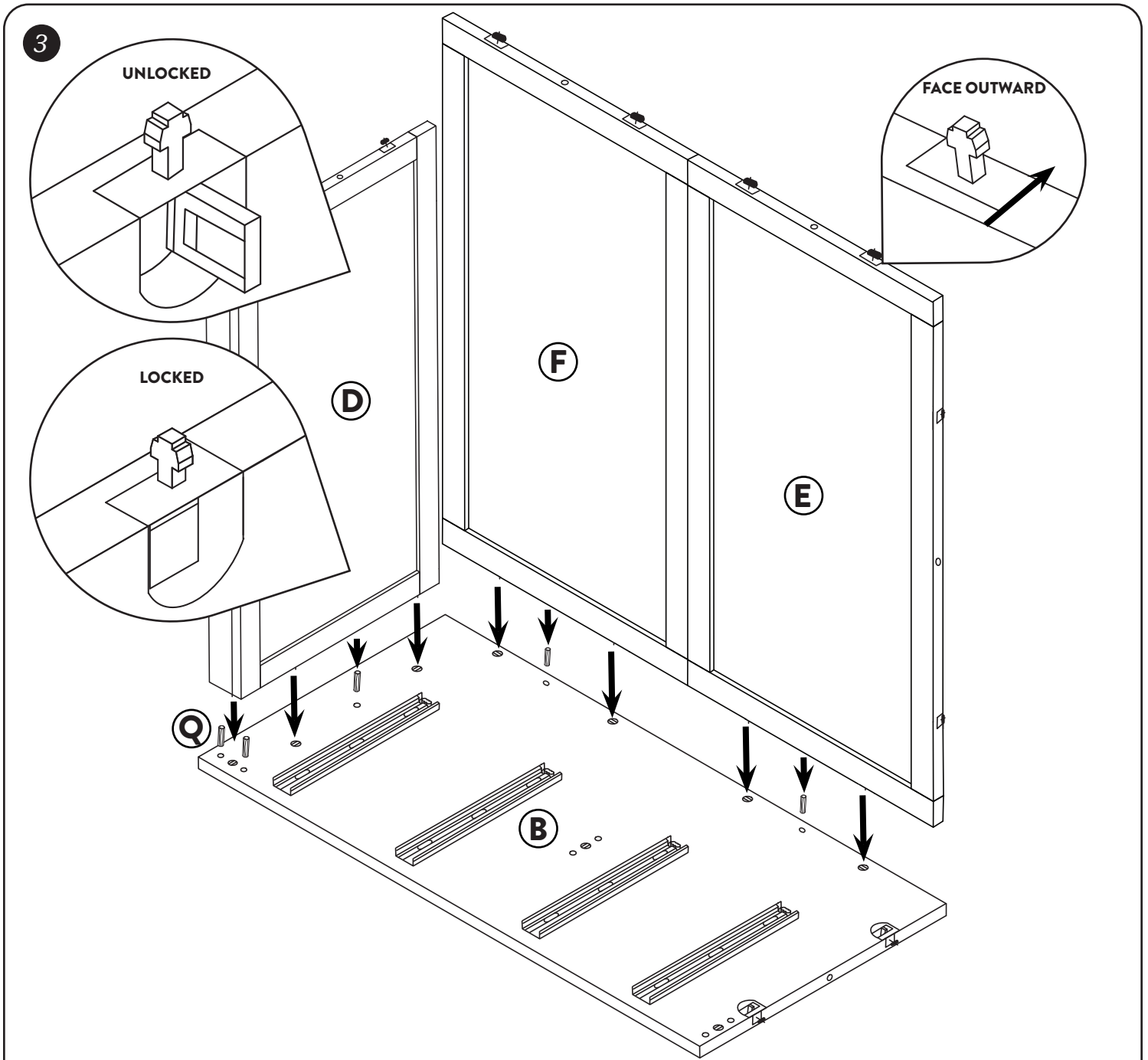


Connect Bottom Frame Crossbar (G) to Bottom Frame (D) with two 8 x 30mm Dowels (Q).

NOTE: The Bottom Frame Crossbar (G) has two dowel holes along its long side.



Step 2 Video
Assembly



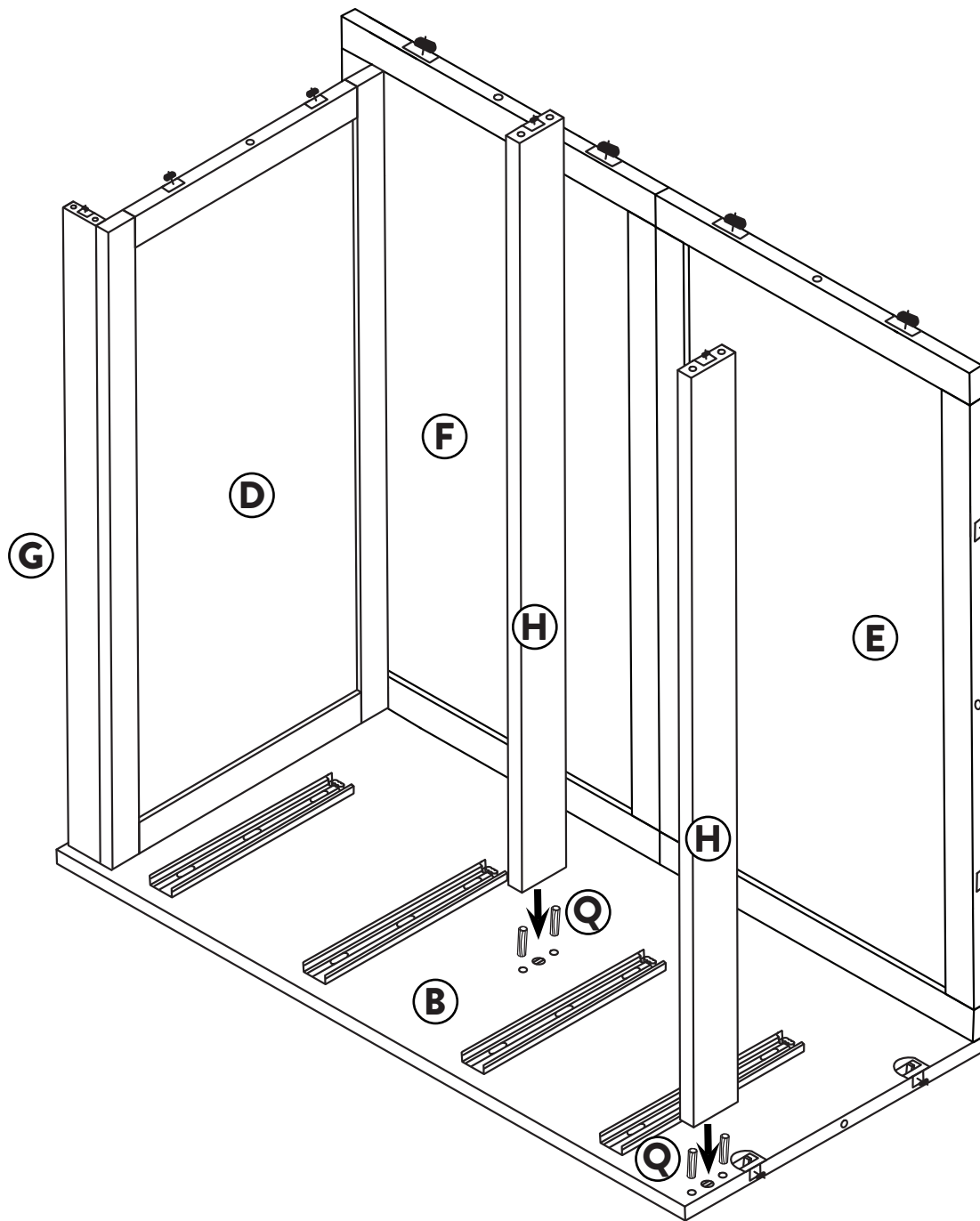
Lay the Right Side Panel (B) flat. First, attach the Bottom Frame (D & G), then the assembled Back Frames (E & F) using five 8 x 30 mm Dowels (Q). Flip the seven cam levers inward to lock.

NOTE: Make sure the cam levers on Back Frames (E & F) face outward when attaching to the Bottom Frame (D & G). The cam lever is unlocked when the grooved side is visible and can be felt, and locked when the flat side is visible and smooth.



Step 3 Video
Assembly

4



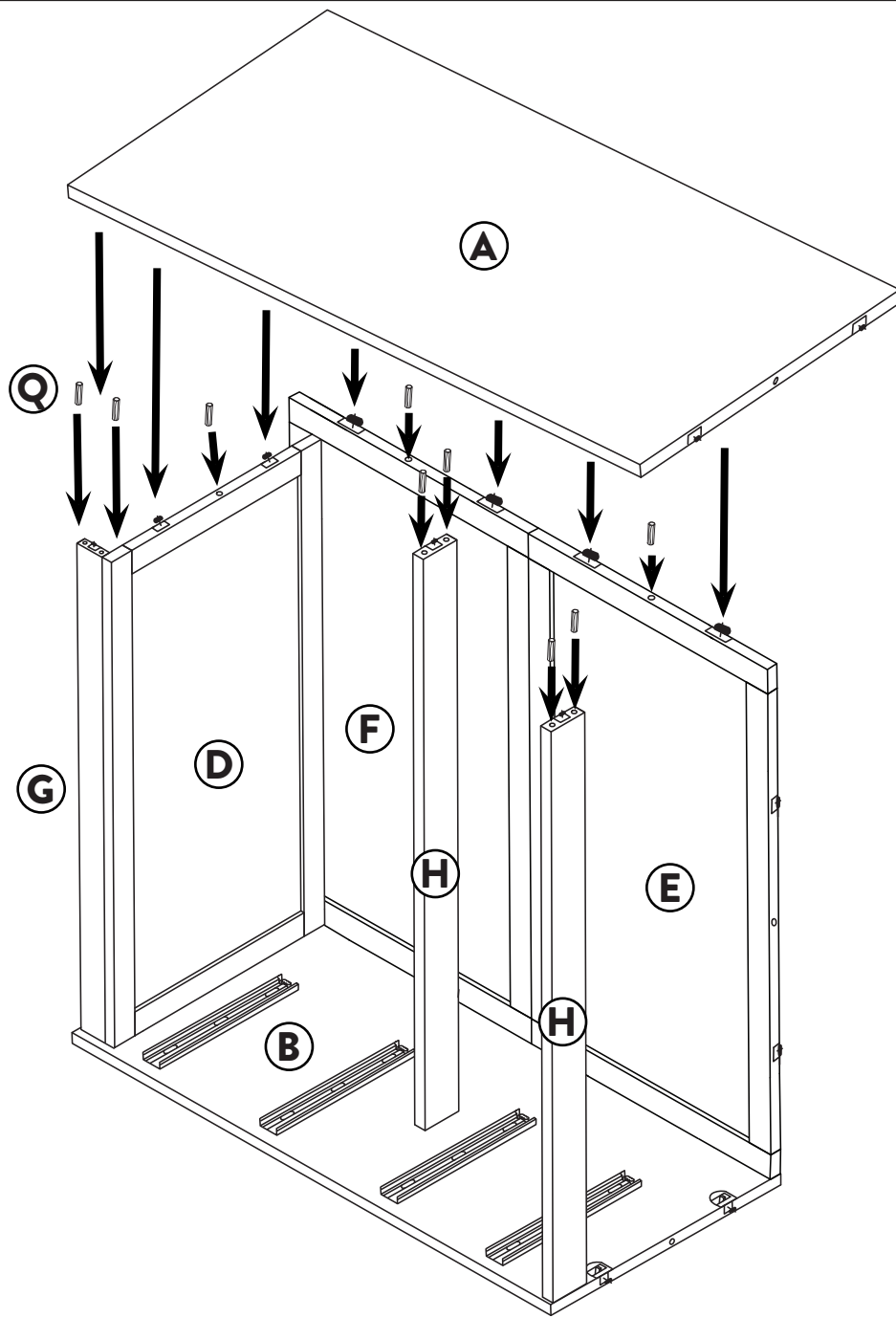
Attach Crossbars (H) to the Right Side Panel (B) with four 8 x 30 mm Dowels (Q). Flip each cam lever on Crossbars (H) inward to lock them into place.

NOTE: Make sure the cam levers on Crossbars (H) are facing down toward the Bottom Frame (D) when attaching.



Step 4 Video
Assembly

5

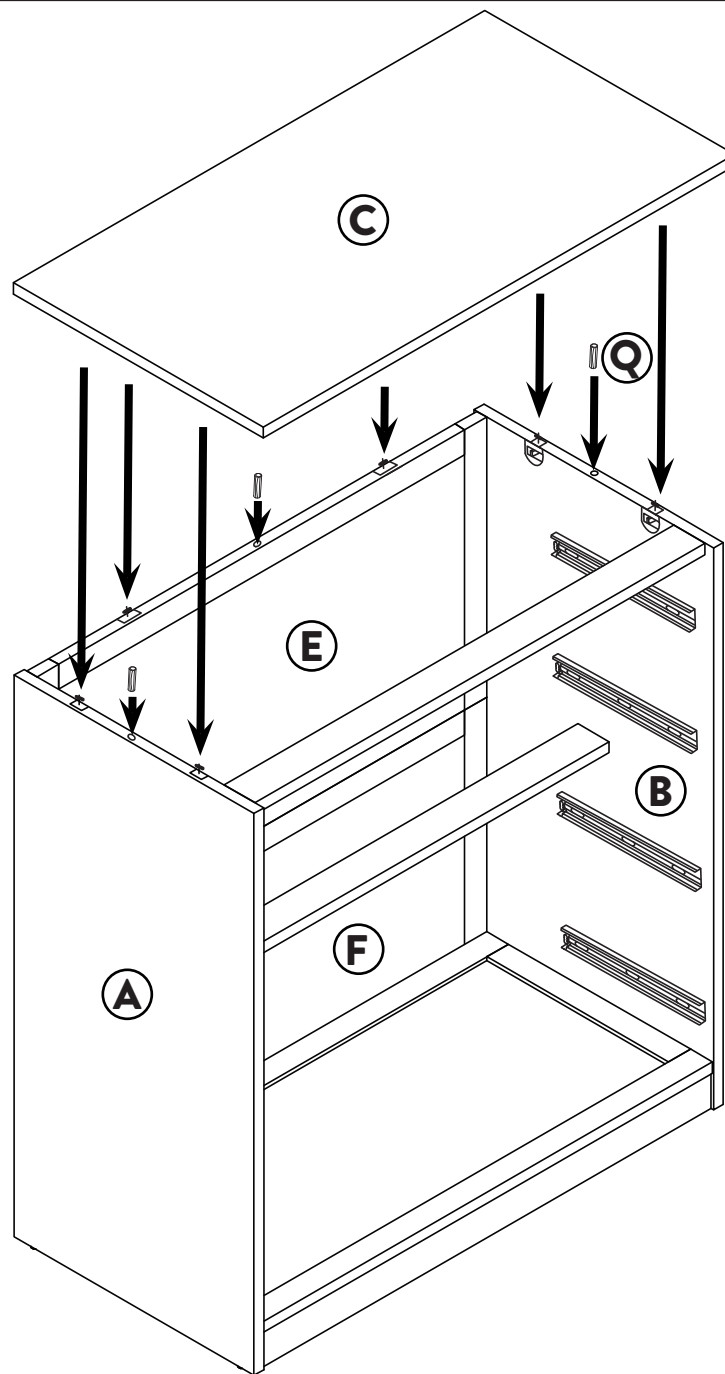


Attach Left Side Panel (A) with nine 8 x 30mm Dowels (Q) into Back Panels (E & F), Bottom Frame (D & G), and Crossbars (H). Align dowels and cam levers, then flip all nine cam levers inward to lock.



Step 5 Video
Assembly

6

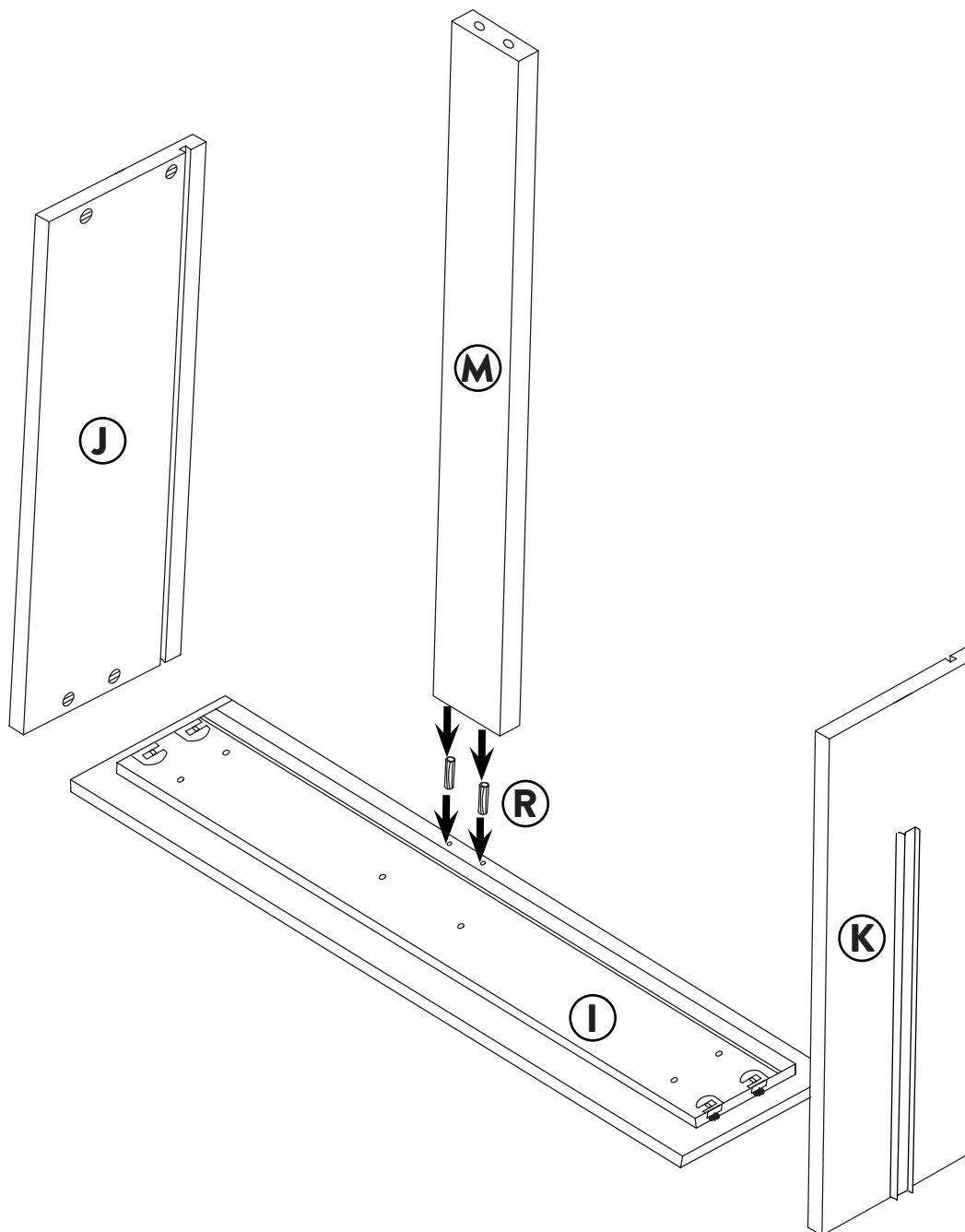


Set the dresser upright and install Top Panel (C) with three 8 x 30mm Dowels (Q) into Left Side Panel (A), Back Panels (E & F), and Right Side Panel (B). Flip six cam levers inward to lock.



Step 6 Video
Assembly

7

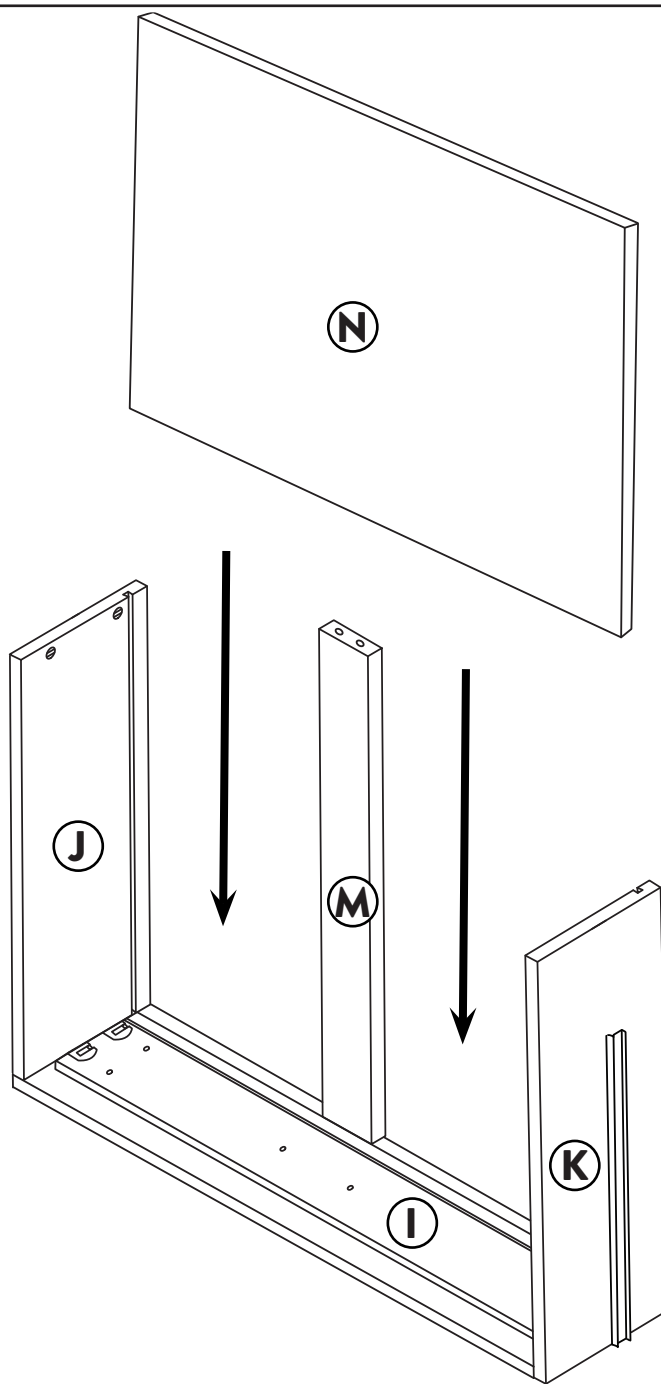


With Front Drawer Panel (I) facing downward, attach Bottom Drawer Support Bar (M) using two 6 x 20mm Dowels (R). Attach Left (J) and Right (K) Side Drawer Panels to Front Drawer Panel (I), aligning the grooves. Flip four cam levers in Front Drawer Panel (I) inward to lock in place.



Step 7 Video
Assembly

8

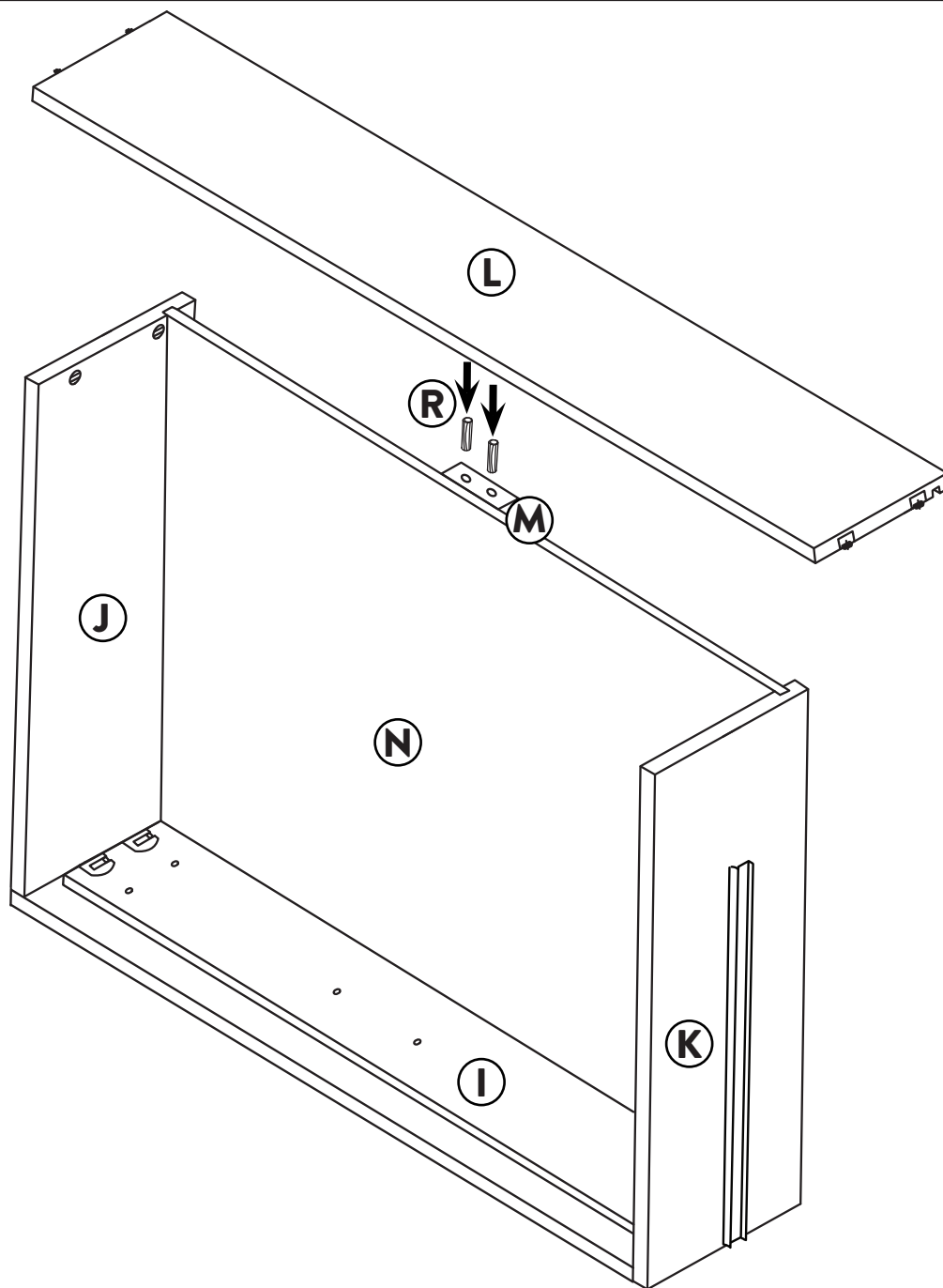


Carefully slide Bottom Drawer Panel (N) into the grooves of the Side Drawer Panels (J & K) and Front Drawer Panel (I).



Step 8 Video
Assembly

9

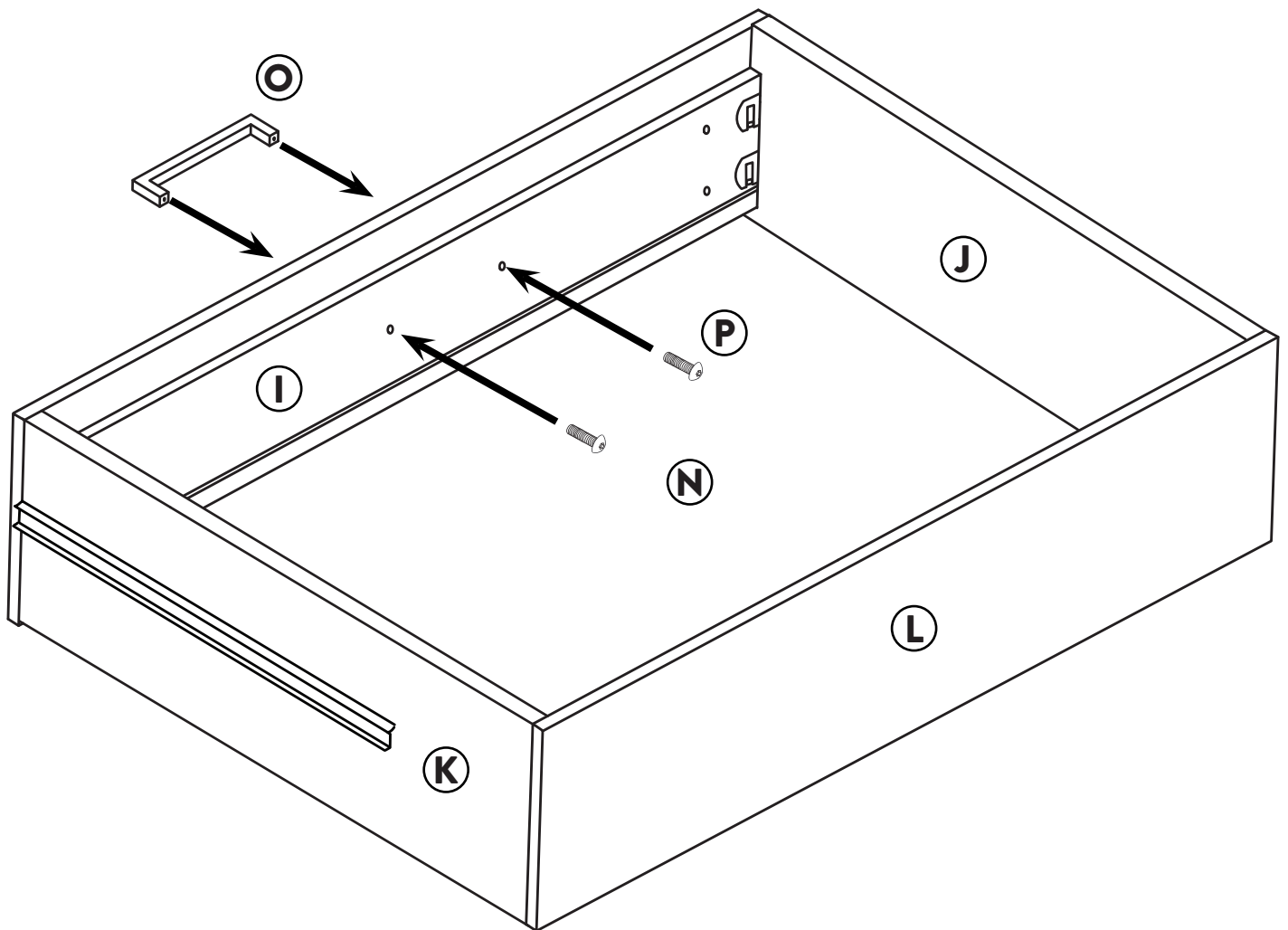


Attach Back Drawer Panel (L) to Bottom Drawer Support Bar (M) with two 6 x 20mm Dowels (R). Flip four cam levers on Back Drawer Panel (L) inward to lock into Side Drawer Panels (J & K).



Step 9 Video
Assembly

10

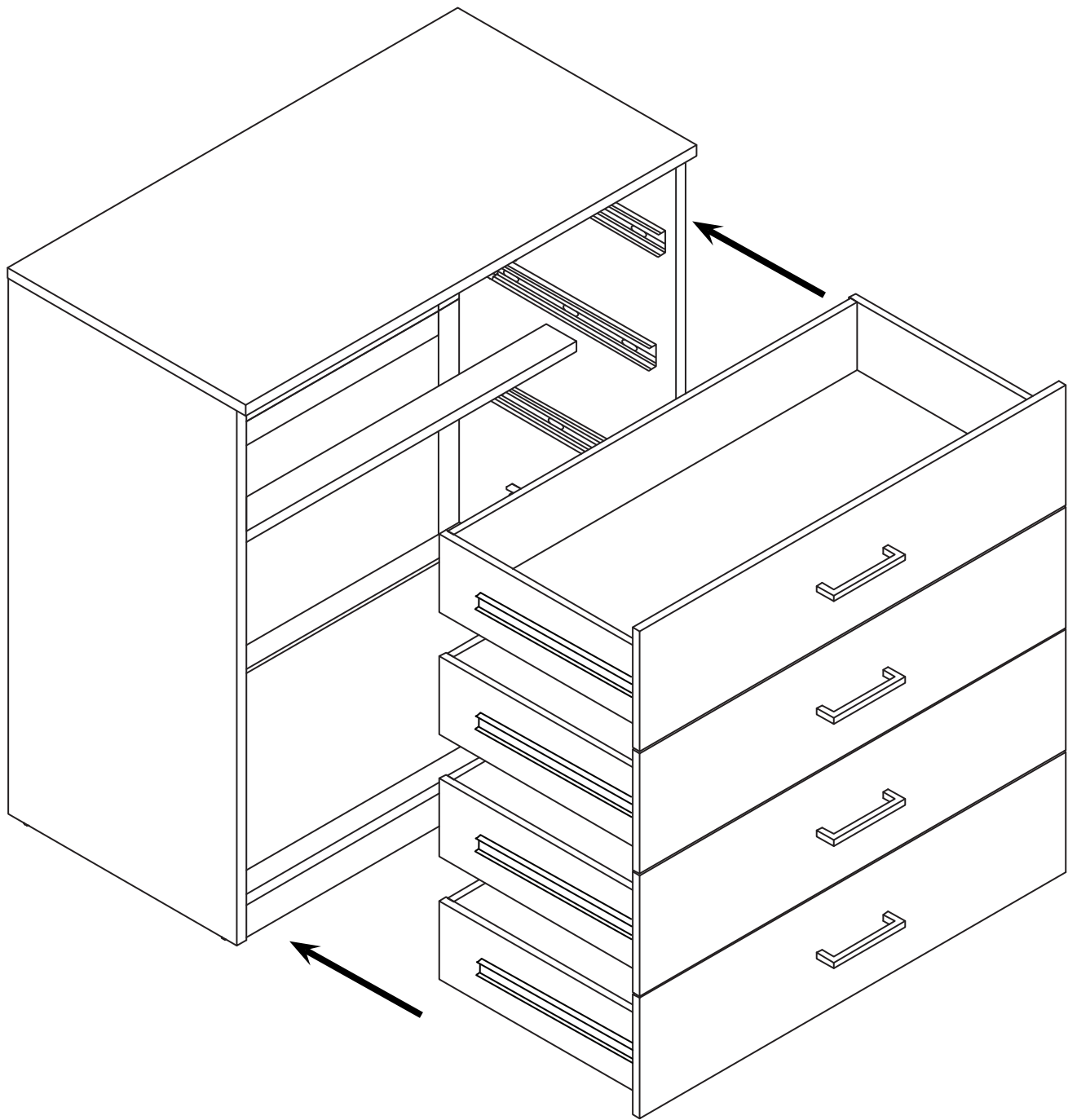


Attach Handle (O) to Front Drawer Panel (I) with Pan-Head Bolts (P) and a screwdriver. Repeat steps 7-10 with the remaining drawers.



Step 10 Video
Assembly

11

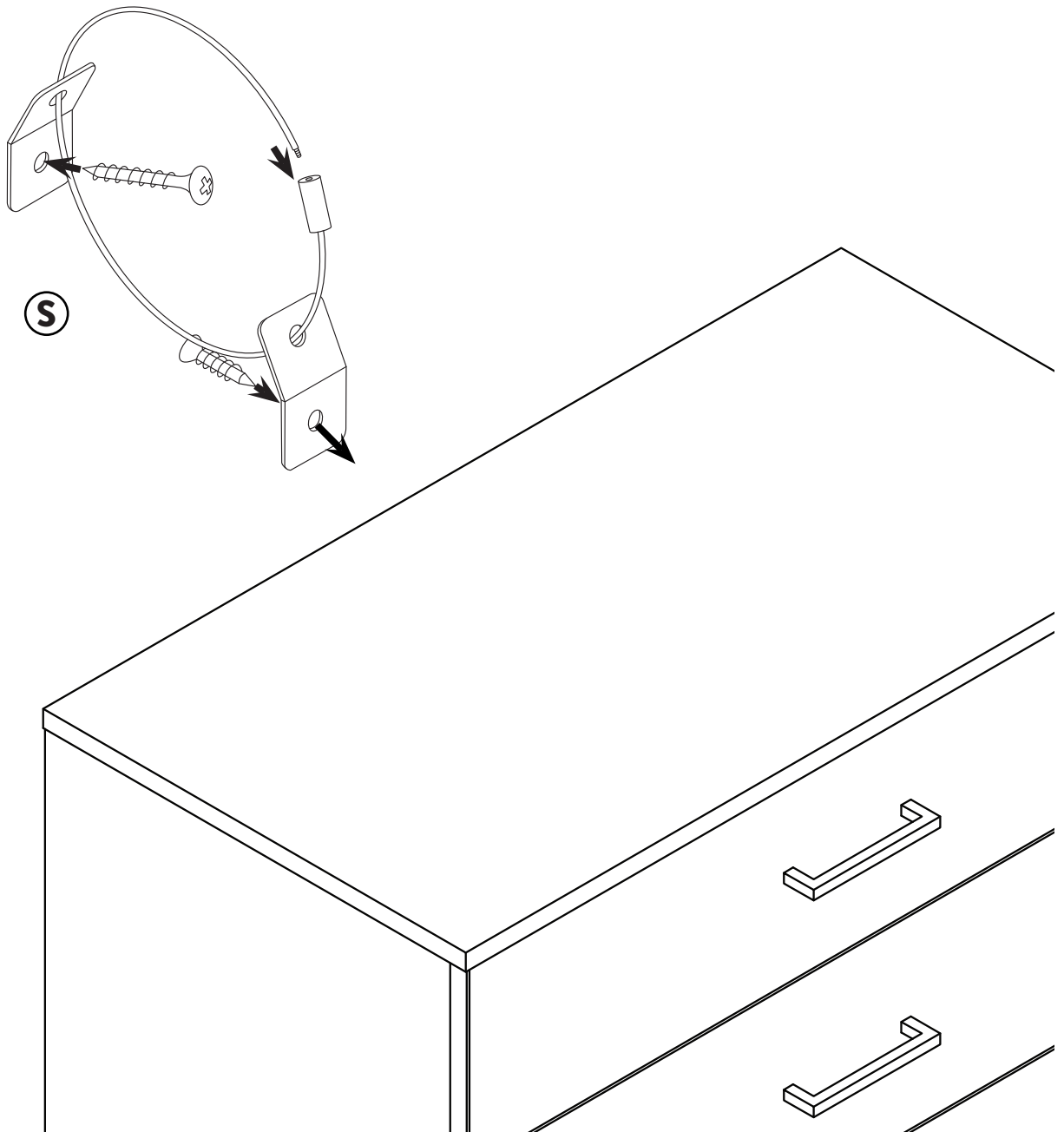


Align the metal drawer glide frame with the glide track on the dresser. Push the drawer in until it clicks into place. Pull out the drawer to ensure smooth operation, then close it. Repeat with the remaining drawers.



Step 11 Video
Assembly

12



Using the Anti-Tip Set (S), secure one anchor to the wall with a screw, align the second anchor to the center-back of the furniture at a similar height, then drill and screw it in place. Feed the cable through both anchors' remaining holes and secure it using the cable's screw closure.